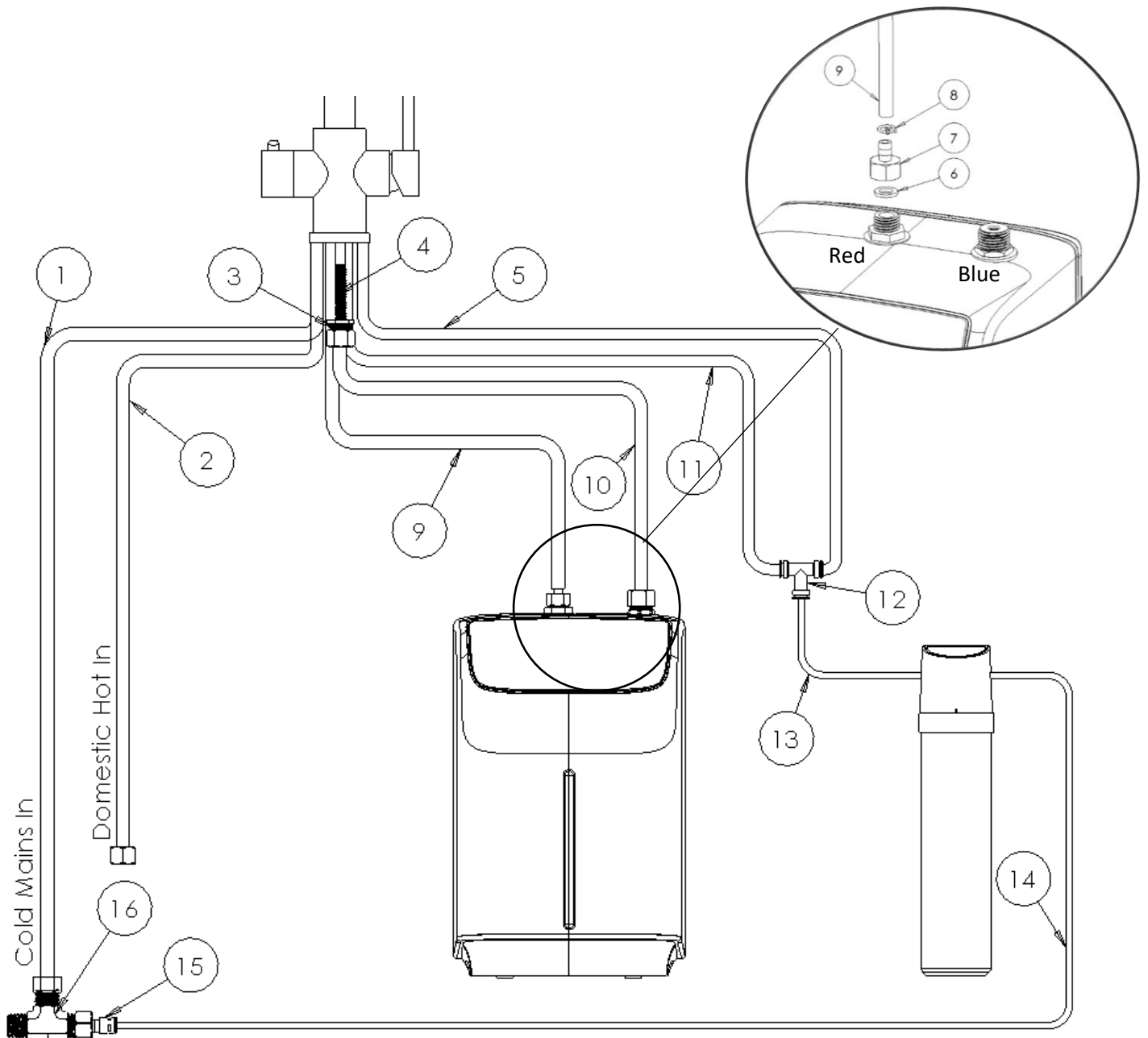
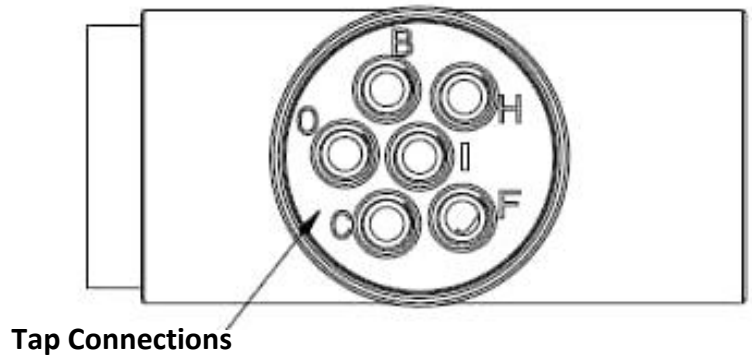
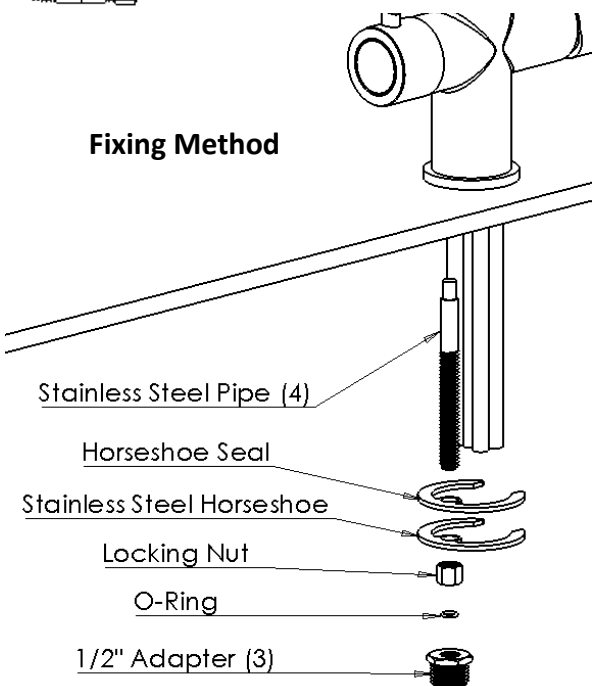


For servicing purposes, the services provided by the customer should have means of isolation.



Fixing Method



Tap Connections	Description
O	Blue PE Pipe (11) with Tap Connections and Push Fit to Fitting (12)
C	Flexi Hose (Blue Stripe (Max 3Bar)) Connected To 'C' on Tap then Incoming Main Cold (1)
I	Pre-Installed Silicone Hose (9)
F	White PE Pipe (5) with Tap Connections and Push Fit to Fitting (12)
H	Flexi Hose (Red Stripe (Max 3Bar)) Connected To 'H' on Tap then Incoming Domestic Hot (2)
B	Stainless Steel Connecting Pipe (4)

No.	Description	QTY	Packed with
1	Flexi Hose (Blue Stripe (Max 3Bar)) Connected To 'C' on Tap then Incoming Main Cold	1	Tap
2	Flexi Hose (Red Stripe (Max 3Bar)) Connected To 'H' on Tap then Incoming Domestic Hot	1	Tap
3	1/2" Adapter	1	Tap
4	Stainless Steel Connecting Pipe	1	Tap
5	White PE Pipe with Tap Connections	1	Tap
6	Silicone Washer	1	Boiler Tank
7	3/8" to Barb	1	Boiler Tank
8	Fixing Clip	1	Tap
9	Pre-Installed Silicone Hose	1	Tap
10	Flexi Hose (Blue Stripe (Water to Boiler)) Connected to Stainless Steel Pipe (4)	1	Tap
11	Blue PE Pipe with Tap Connections	1	Tap
12	Push Fit Tee Connector	1	Tap
13/14	1m PE Pipe (Cut to Fit)	1m	Filter
15	1/2" Female BSP to 6mm Push Fit	1	Tap
16	1/2" BSP Tee Fitting	1	Tap

Please note the fittings provided with the filter tank will not be required for this installation.

General care instructions for all kitchen tap finishes

Dry completely with a soft cloth after each use.

Clean regularly with warm water or a mild pH-neutral liquid soap and then polish with a clean, soft, lint-free cloth. A Microfibre cloth is ideal as it is gentle but effective for cleaning without scratching and needs only to be dampened with water to clean the product.

Avoid getting household bleach or cleaners on to your fittings when using on surrounding surfaces. Any splashes should be immediately rinsed with clean water and dried and should not be allowed to remain on the metal finishes.

Under no circumstances should harsh cleaning agents containing acidic, caustic, or abrasive components such as bleach, alcohol or vinegar-based substances be used.

Do not use abrasive cloths, scouring pads, scrub sponges, steel wool etc. as they may damage the surface.

To avoid dye and 'patterning' transfer from wet cloths, avoid hanging them over the spout of the tap. Porous surfaces such as nickel and pewter may be affected by chemicals in or on the cloth.

Failure to Follow These Instructions Could Invalidate Your Warranty

Operation

To dispense tank heated water, simply push down the spring-loaded button and turn handle away from body, after a few seconds the water will run through.

The standard hot and cold functions are similar to most other mixer taps, simply push handle away from tap and pull towards for hotter water or away for colder water.

To dispense filtered water, keep tap handle in upright position and pull fully towards body.

